

# IP-4100S-HFW

## 1.3Megapixel HD Network Small IR-Bullet Camera



### Features

- 1/3" 1.3Megapixel progressive scan Aptina CMOS
- H.264&MJPEG dual-stream encoding
- 25/30fps@1.3M(1280×960)&25/30fps@720P(1280×720)
- DWDR, Day/Night(ICR), 3DNR,AWB,AGC,BLC
- Multiple network monitoring: Web viewer, CMS(DSS/PSS) & DMSS
- 3.6mm fixed lens (6mm,8mm optional)
- Max. IR LEDs Length 30m
- IP66, PoE

### Technical Specifications

<b>Model</b>	<b>IP-HFW4100S-HFW</b>
<b>Camera</b>	
Image Sensor	1/3" 1.3Megapixel progressive scan CMOS
Effective Pixels	1280(H) □ 960(V)
Scanning System	Progressive
Electronic Shutter Speed	Auto/Manual, 1/3(4)~1/10000s
Min. Illumination	0.01Lux/F1.8(Color), 0.005Lux/F1.8(B/W)

## IP-4100S-HFW

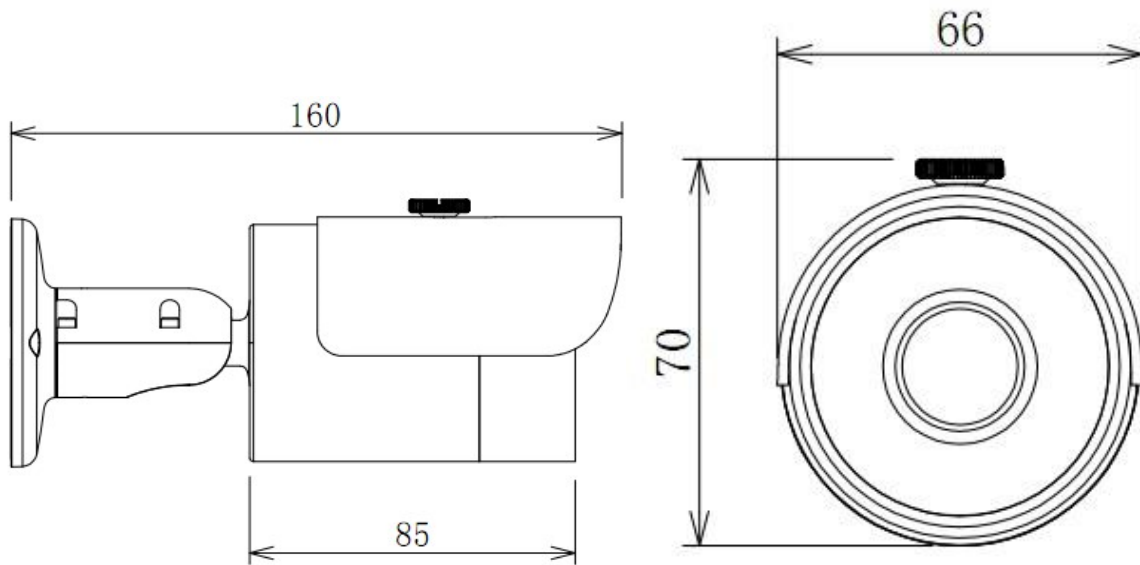
S/N Ratio	More than 50dB	
Video Output	N/A	
<b>Camera Features</b>		
Max. IR LEDs Length	30m	
Day/Night	Auto(ICR)/Color/B/W	
Backlight Compensation	BLC / HLC / DWDR	
White Balance	Auto/Manual	
Gain Control	Auto/Manual	
Noise Reduction	3D	
Privacy Masking	Up to 4 areas	
<b>Lens</b>		
Focal Length	3.6mm (6mm,8mm optional)	
Max Aperture	F1.8(F1.8,F1.8)	
Focus Control	Manual	
Angle of View	H:70°(46.5°/35°)	
Lens Type	Fixed lens	
Mount Type	Board-in Type	
<b>Video</b>		
Compression	H.264/ MJPEG	
Resolution	1.3M(1280x960)/720P(1280x720)/ D1(704x576/704x480) / CIF(352x288/352x240)	
Frame Rate	Main Stream	1.3M/720P(1 ~ 25/30fps)
	Sub Stream	D1/CIF(1 ~ 25/30fps)
Bit Rate	H.264: 32K ~ 8192Kbps	
<b>Audio</b>		
Compression	N/A	
Interface	N/A	
<b>Network</b>		
Ethernet	RJ-45 (10/100Base-T)	
Wi-Fi	N/A	

## IP-4100S-HFW

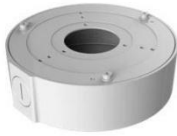


Protocol	IPv4/IPv6, HTTP, HTTPS, SSL, TCP/IP, UDP, UPnP, ICMP, IGMP, SNMP, RTSP, RTP, SMTP, NTP, DHCP, DNS, PPPOE, DDNS, FTP, IP Filter, QoS, Bonjour
Compatibility	ONVIF,PSIA,CGI
Max. User Access	20 users
Smart Phone	iPhone, iPad, Android, Windows Phone
<b>Auxiliary Interface</b>	
Memory Slot	N/A
RS485	N/A
Alarm	N/A
PIR Sensor Range	N/A
<b>General</b>	
Power Supply	DC12V, PoE (802.3af)
Power Consumption	Max 5W
Working Environment	-30°C~+60°C, Less than 95% RH
Ingress Protection	IP66
Vandal Resistance	N/A
Dimensions	70mm×66mm×160mm
Weight	0.42kg

# IP-4100S-HFW

## Dimensions (mm)



## Accessories (optional)

			
AC-130	AC-122	AC-152	AC-151

社名 / 新光 株式会社  
SK-COMPANY CO.,LTD

本社所在地 / 〒173-0032  
東京都板橋区大山西町 2-3 SKビル 1F

TEL / +81-8032785551  
FAX / +81-33972-0689

Distributor: