

HD-2120S-HFW

1.4Megapixel 720P Water-proof HD IR-Bullet Camera



Features

- 1/3" 1.4Megapixel CMOS
- 25/30/50/60fps@720P
- High speed, long distance real-time transmission
- HD and standard definition switchable
- OSD Menu, control over coaxial cable
- DWDR, Day/Night(ICR), AWB, AGC, BLC, 3D DNR
- 6mm fixed lens (2.8 mm, 3.6mm, 8mm optional)
- IP67, DC12V
- Max. IR LEDs length 30m, Smart IR

Technical Specifications

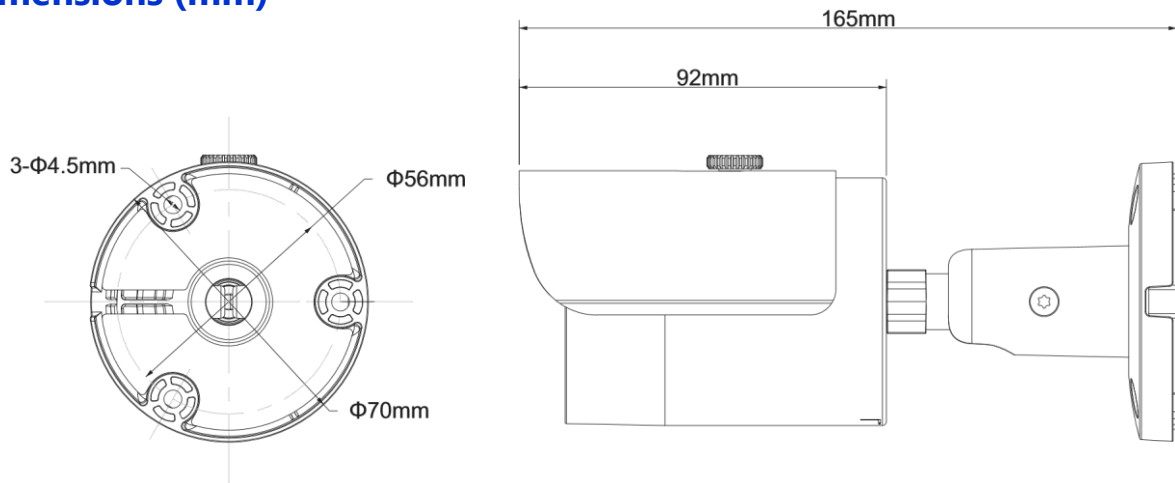
Model	HD- 2120S-HFW	HD- 2120S-HFW-N
Camera		
Image Sensor	1/3" 1.4Megapixel CMOS	
Effective Pixels	1305(H)×1049(V)	
Electronic Shutter	1/3s~1/100,000s	
Video Frame Rate	25/50fps@720P	30/60fps@720P
Synchronization	Internal	
Min. Illumination	0.01Lux@F1.2(AGC ON), 0Lux IR on	

HD-2120S-HFW

Video Output	1-channel BNC HD high definition video output/ CVBS standard definition video output (Can switch)
Camera Features	
Max. IR LEDs Length	30m, Smart IR
Day/Night	Auto(ICR) / Color / B/W
Noise Reduction	2D/3D
OSD Menu	Support
Lens	
Focal length	6mm (2.8 mm, 3.6mm, 8mm optional)
Angle of View	H: 46.5° (89° /70° /38.5°)
Mount Type	M12
General	
Power Supply	DC12V±10%
Power Consumption	Max 4.7W
Working Environment	-30°C~+60°C / Less than 95%RH (no condensation)
Transmission Distance	Over 800m via 75-3 coaxial cable
Ingress Protection	IP67
Dimensions(W×D×H)	Φ65mm×154.7mm
Weight	0.38kg
Material	Metal

HD-2120S-HFW

Dimensions (mm)



Accessories (optional)

AC-130	AC-122	AC-152

社名 / 新光 株式会社
SK-COMPANY CO.,LTD

本社所在地 / 〒173-0032
東京都板橋区大山西町 2-3 SKビル 1F

TEL / +81-8032785551
FAX / +81-33972-0689

Distributor: