

## HD-AD40112I/42112I/42C112I-HC

### 1Mp 720P Mini HD PTZ Dome Camera



**AD40112I-HC**



**AD42112I-HC**



**AD42C112I-HC**

### Features

- Powerful 12x optical zoom
- 25/30/50/60fps@720P
- DWDR, Day/Night (ICR), DNR (2D&3D), Auto iris, Auto focus, AWB, AGC, BLC
- Max 300°/s pan speed, 360° continuous pan rotation
- Control over coaxial cable, long distance real-time transmission
- HD and SD switchable
- Up to 255 presets, 5 auto scan, 8 tour, 5 pattern
- Built-in 2/1 alarm in/out
- Support intelligent 3D positioning with DH-SD protocol
- IP66(outdoor), IK10, OSD

### Technical Specifications:

Model	HD-AD40112I-HC	HD-AD42112I-HC	HD-AD42C112I-HC
<b>Camera</b>			
Image Sensor	1/3" Exmor CMOS		
Effective Pixels	1280(H) x 960(V)		
Horizontal Resolution	≥700TVL		
Scanning System	Progressive		

## HD-AD40112I/42112I/42C112I-HC

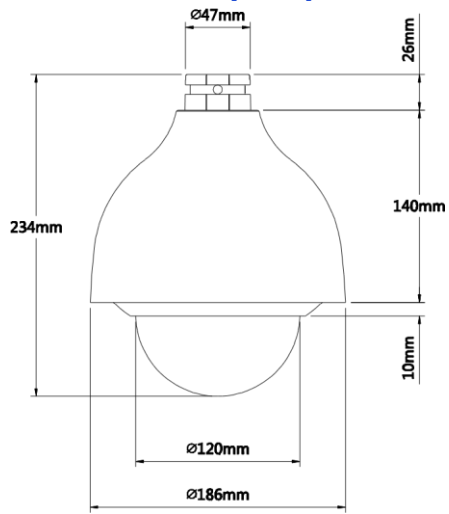
Electronic Shutter Speed	1/1s ~1/30,000s
Min. Illumination	Color: 0.05 Lux/F1.6, B/W: 0.005Lux/F1.6
S/N Ratio	More than 55dB
Resolution	25/30/50/60fps@720P
Video Output	1-channel BNC HD high definition video output/ CVBS standard definition video output (Can switch)
<b>Camera Features</b>	
Day/Night	Auto(ICR) / Color / B/W
Backlight Compensation	BLC / HLC / DWDR (Digital WDR)
White Balance	Auto, ATW, Indoor, Outdoor, Manual
Gain Control	Auto / Manual
Noise Reduction	2D / 3D
Privacy Masking	Up to 24 areas
Digital Zoom	16x
<b>Lens</b>	
Focal Length	5.1 mm~61.2mm (12x Optical zoom)
Max Aperture	F1.6~ F3.0
Focus Control	Auto / Manual
Angle of View	H: 51.3° ~ 4.64°
Close Focus Distance	100mm~1000mm
<b>PTZ</b>	
Pan/Tilt Range	Pan: 0° ~ 360° endless; Tilt: -2° ~ 90°, auto flip 180°
Manual Control Speed	Pan: 0.1° ~ 300°/s; Tilt: 0.1° ~120°/s
Preset Speed	Pan: 300°/s; Tilt:200°/s

## HD-AD40112I/42112I/42C112I-HC

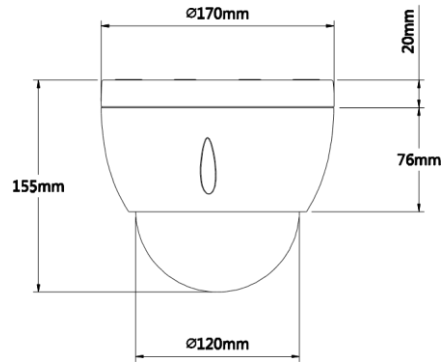
Preset	80(DH-SD) , 255(Pelco-P/D)		
PTZ Mode	5 Pattern, 8 Tour, 5 Auto Scan, Auto Pan		
Speed Setup	Human-oriented focal length/ speed adaptation		
Power up Action	Auto restore to previous PTZ and lens status after power failure		
Idle Motion	Activate Preset/ Scan/ Tour/ Pattern if there is no command in the specified period		
Protocol	HD-AD, Pelco-P/D (Auto recognition)		
<b>Audio</b>			
Interface	1 channel In		
RS485	1		
Alarm	2/1 channel In/Out		
<b>General</b>			
Power Supply	AC24V/1.5A (±10%)		
Power Consumption	10W, 19W(Heater on)	10W	
Working Environment	-40°C ~ 60°C / Less than 90% RH	-10°C ~ 60°C / Less than 90% RH	
Ingress Protection	IP66	N/A	
Vandal Resistance	IK10		
Dimensions	Φ186mm×234mm	Φ170mm×155mm	Φ198mm×158mm
Weight	2.3Kg	1.8Kg	2.0Kg

## HD-AD40112I/42112I/42C112I-HC

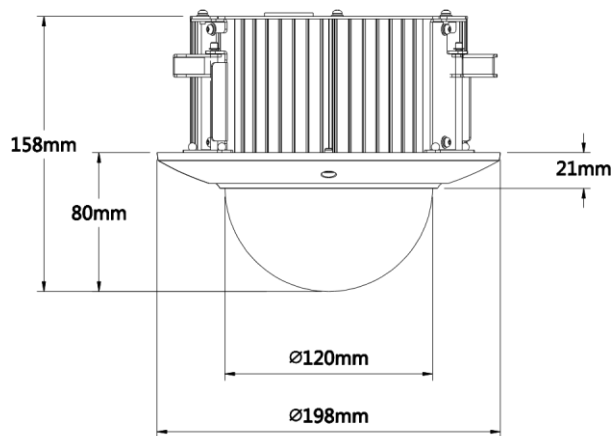
### Dimensions (mm)



AD40112I-HC



AD42112I-HC



AD42C112I-HC

## HD-AD40112I/42112I/42C112I-HC




### Accessories




#### AD40112I-HC

		
AC-PFB300S	AC-PFA110	Power Supply

### Accessories (Optional)

#### AD40112I-HC





		
AC-PFB300C	AC-PFA112	AC-PFA113

		
AC- PFA120	AC-PFA150	AC-PFA151

## HD-AD40112I/42112I/42C112I-HC

### AD42112I-HC

				
AC-PFA102	AC-PFB300S	AC-PFB302S	AC-PFB300C	AC-PFA112

			
AC-PFA113	AC-PFA120	AC-PFA150	AC-PFA151

社名 / 新光 株式会社  
SK-COMPANY CO.,LTD

本社所在地 / 〒173-0032  
東京都板橋区大山西町 2-3 SKビル 1F

TEL / +81-8032785551  
FAX / +81-33972-0689

Distributor:
--------------